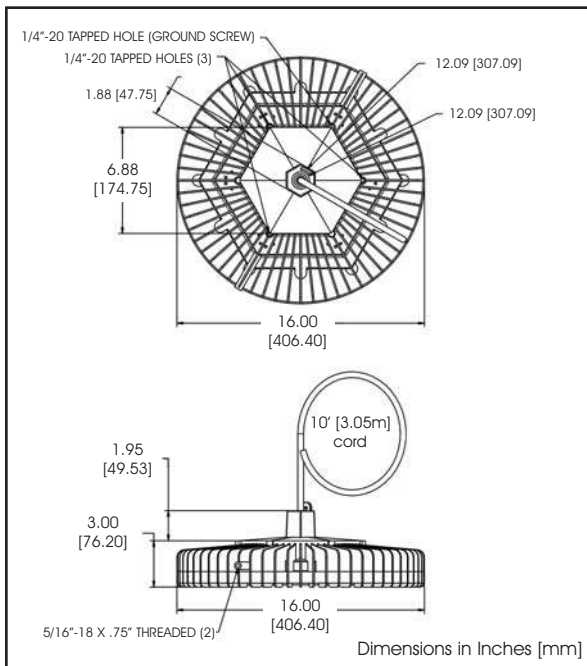




HB Series LED High Bay Fixture



Certifications & Ratings:

- ▷ UL1598
- ▷ CSA 22.2 #250
- ▷ CE
- ▷ UL1598A
- ▷ IP66
- ▷ NEMA 4X (Polycarbonate Lens Only)

Features & Benefits:

- ▷ Low power consumption
- ▷ Instant on/off operation
- ▷ Universal input (100-277 VAC), 50/60Hz
- ▷ Superior color rendition index compared to HPS, LPS, MV
- ▷ Mercury free
- ▷ Resistant to shock and vibration
- ▷ Temperature compensation technology for longer life
- ▷ >80% lumen maintenance after 60,000 operating hours
- ▷ Copper free aluminum

Application:

The first of its kind, the Dialight HB series LED High Bay luminaire was designed specifically to replace conventional lighting in a wide variety of industrial applications, both indoor and outdoor. It's low profile light weight design and versatile mounting options make it ideal for many applications such as warehouse, garage, bridge, tunnel and general area lighting.

All of Dialight's long life LED luminaires are designed to meet the most demanding specification criteria while offering maximum energy savings, reduced maintenance costs, and a superior quality of light.

Mechanical Information:

- Fixture Weight:** 17 lbs (7.7 kg)
- Mounting:** (1) 3/4" NPT Threaded
OR
(2) 5/16"-18 x .75" NPT Thread

Electrical specifications:

- Operating Voltage:** 100-277VAC, 50/60 Hz
- Total System Power Consumption:** 150W
- Operating Temp:** -40°F to +149°F (-40°C to +65°C)
- Harmonics:** IEC 6100-3-2
- Surge / Lightning Protection:** 1 kV line to line
2 kV line to ground
- THD:** <5% (120VAC)
<10% (230/240VAC)
<12% (277VAC)

- Power Factor:** > 0.9

Construction:

- Body:** Powder Coated Aluminum
- Lens:** Acrylic (UL1598 Dry Location versions)
Polycarbonate (UL1598A versions)

Photometric Information:

- CRI (typ):** 70
- CCT (typ):** 6000K (cool white)
4500K (neutral white)

Order Codes:

Part Number	Certification	Description	Optic	LED Color	Initial Fixture Lumens
HB2C4M	UL 1598A	Clear Polycarbonate	Narrow Circular	Cool White	11,000
HB7C4M	UL 1598A	Clear Polycarbonate	Narrow Oval	Cool White	TBD
HB1C4N	UL 1598 - Dry Location	Clear Acrylic	Narrow Circular	Cool White	11,900
HB5C4M	UL 1598 - Dry Location	Diffused Acrylic	Narrow Circular	Cool White	11,000
HB1N4J	UL 1598 - Dry Location	Clear Acrylic	Narrow Circular	Neutral White	10,300
HB3C4G	UL 1598 - Dry Location	Diffused Acrylic	Medium Circular	Cool White	8,150



Designed in the USA
Meets Buy American requirements
under the American Recovery and
Reinvestment Act 2009

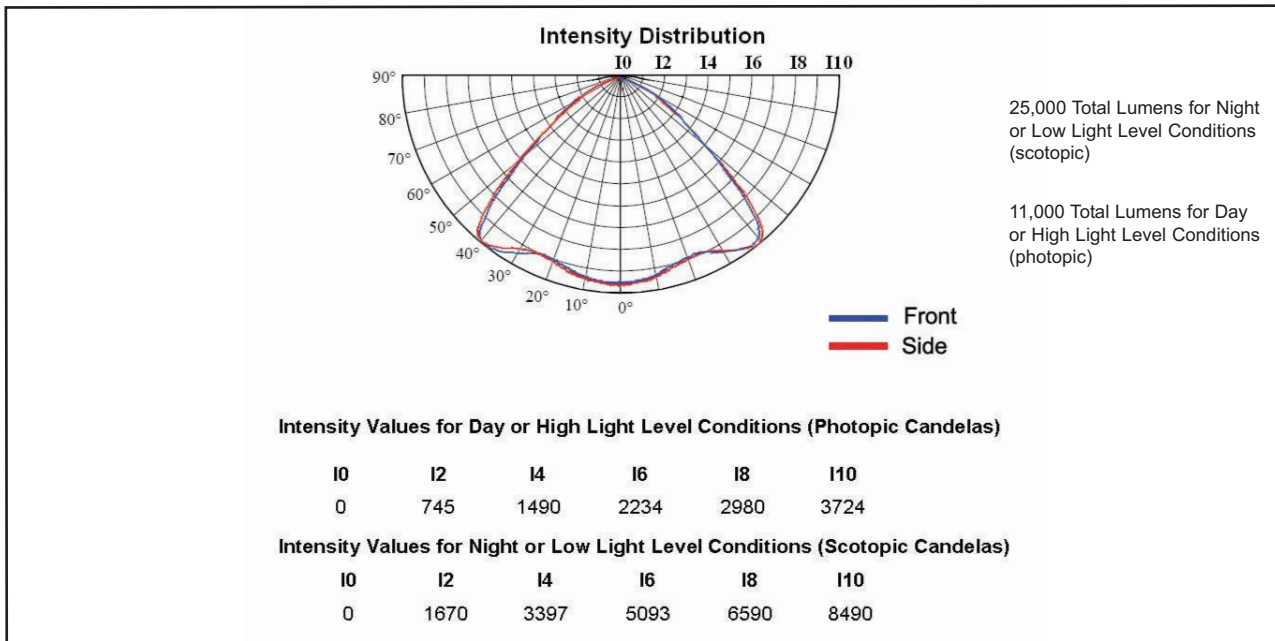
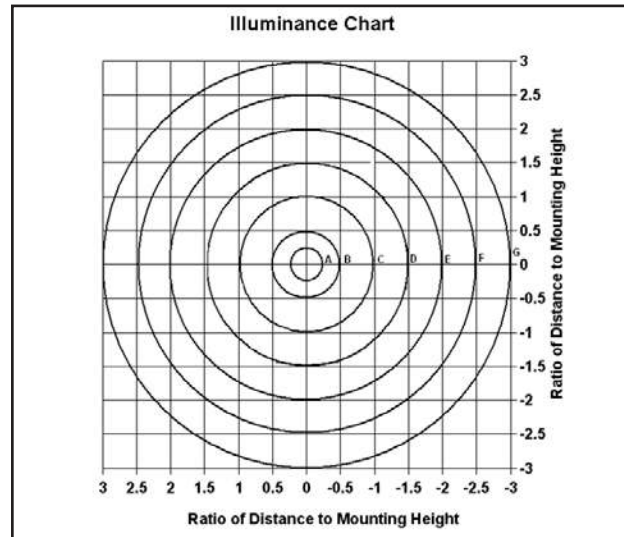
HB2C4M Series High Bay Fixture Light Measurement Data

Illuminance for Day or High Light Level conditions (Photopic Footcandles)

Mounting Height (ft)	Zones						
	A	B	C	D	E	F	G
8	52.30	39.40	22.40	7.50	2.00	0.80	0.30
12	23.24	17.51	9.96	3.33	0.89	0.36	0.13
16	13.08	9.85	5.60	1.88	0.50	0.20	0.08
20	8.37	6.30	3.58	1.20	0.32	0.13	0.05
25	5.36	4.03	2.29	0.77	0.20	0.08	0.03
30	3.72	2.80	1.59	0.53	0.14	0.06	0.02
40	2.09	1.58	0.90	0.30	0.08	0.03	0.01

Illuminance for Night or Low Light Level conditions (Scotopic Footcandles)

Mounting Height (ft)	Zones						
	A	B	C	D	E	F	G
8	119.24	89.83	51.07	17.10	4.56	1.82	0.68
12	53.00	39.93	22.70	7.60	2.03	0.81	0.30
16	29.81	22.46	12.77	4.28	1.14	0.46	0.17
20	19.08	14.37	8.17	2.74	0.73	0.29	0.11
25	12.21	9.20	5.23	1.75	0.47	0.19	0.07
30	8.48	6.39	3.63	1.22	0.32	0.13	0.05
40	4.77	3.59	2.04	0.68	0.18	0.07	0.03



***Typical Example of 100' x 100' Room
(Based on 30' Mounting Height)**

Number of Fixtures	Number of ft*c (on the ground)
9	9
16	15
20	19

*Ceiling Reflectance = 0.8
Wall Reflectance = 0.5
Floor Reflectance = 0.2
Work Plane Height = 2.5'

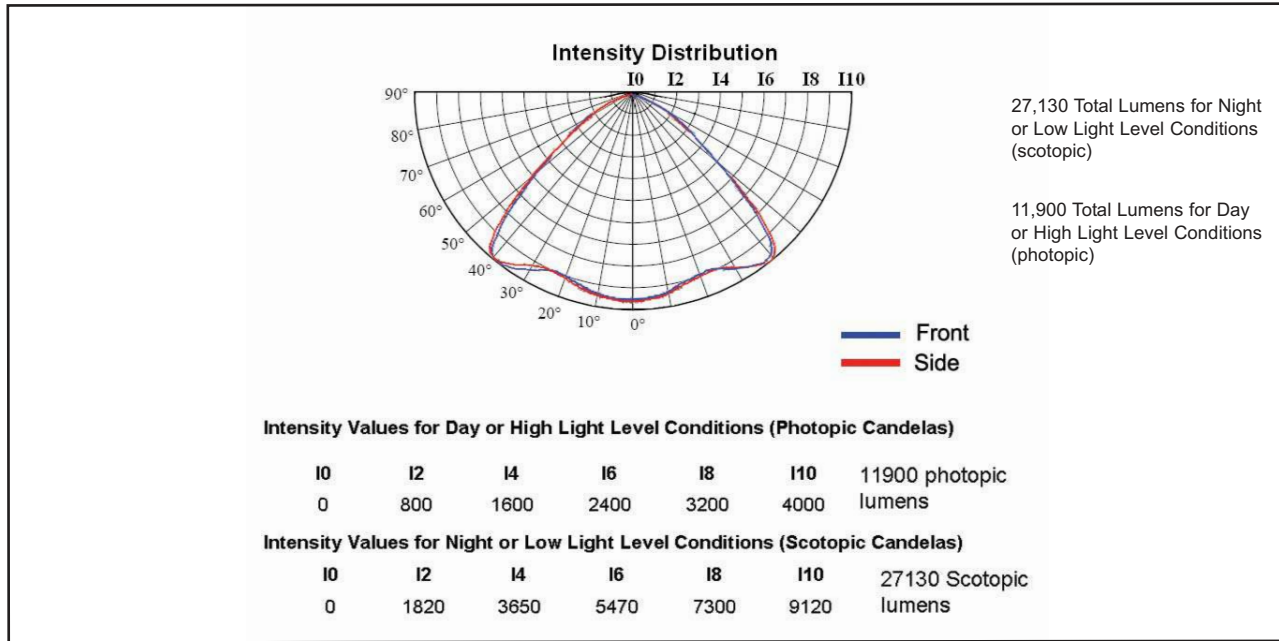
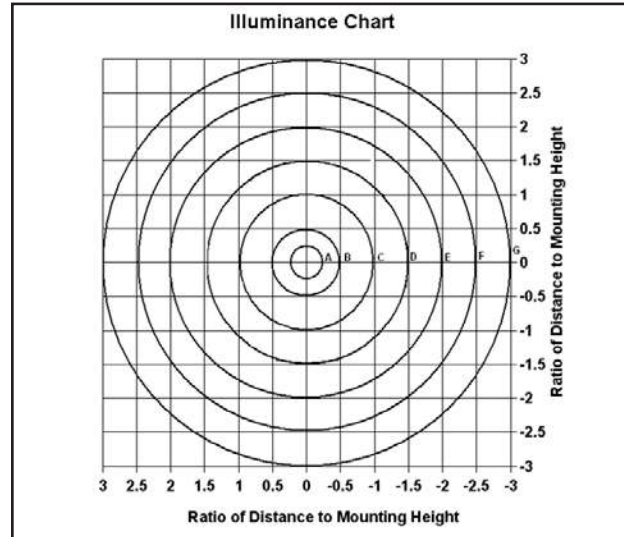
HB1C4N Series High Bay Fixture Light Measurement Data

Illuminance for Day or High Light Level conditions (Photopic Footcandles)

Mounting Height (ft)	Zones						
	A	B	C	D	E	F	G
8	56.00	42.00	24.20	8.40	2.30	0.90	0.40
12	24.89	18.67	10.76	3.73	1.02	0.40	0.18
16	14.00	10.50	6.05	2.10	0.58	0.23	0.10
20	8.96	6.72	3.87	1.34	0.37	0.14	0.06
25	5.73	4.30	2.48	0.86	0.24	0.09	0.04
30	3.98	2.99	1.72	0.60	0.16	0.06	0.03
40	2.24	1.68	0.97	0.34	0.09	0.04	0.02

Illuminance for Night or Low Light Level conditions (Scotopic Footcandles)

Mounting Height (ft)	Zones						
	A	B	C	D	E	F	G
8	127.68	95.76	55.18	19.15	5.24	2.05	0.91
12	56.75	42.56	24.52	8.51	2.33	0.91	0.41
16	31.92	23.94	13.79	4.79	1.31	0.51	0.23
20	20.43	15.32	8.83	3.06	0.84	0.33	0.15
25	13.07	9.81	5.65	1.96	0.54	0.21	0.09
30	9.08	6.81	3.92	1.36	0.37	0.15	0.06
40	5.11	3.83	2.21	0.77	0.21	0.08	0.04



*Typical Example of 100' x 100' Room (Based on 30' Mounting Height)

Number of Fixtures	Number of ft*c (on the ground)
9	8
16	14
20	17.5

*Ceiling Reflectance = 0.8
 Wall Reflectance = 0.5
 Floor Reflectance = 0.2
 Work Plane Height = 2.5'

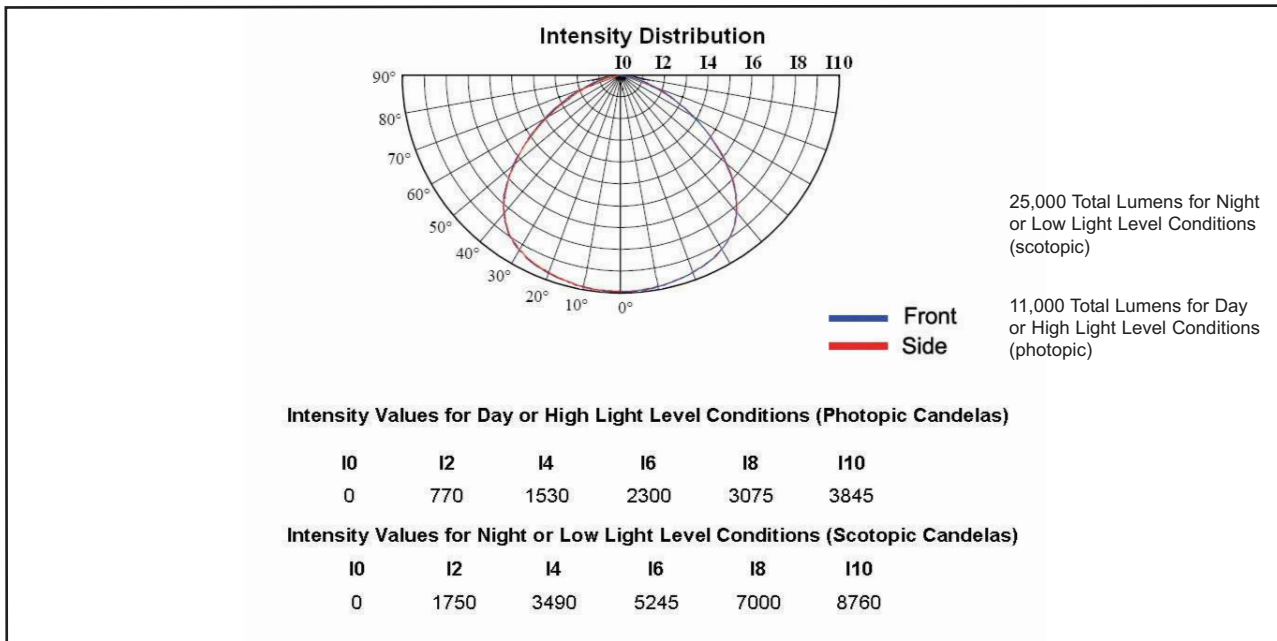
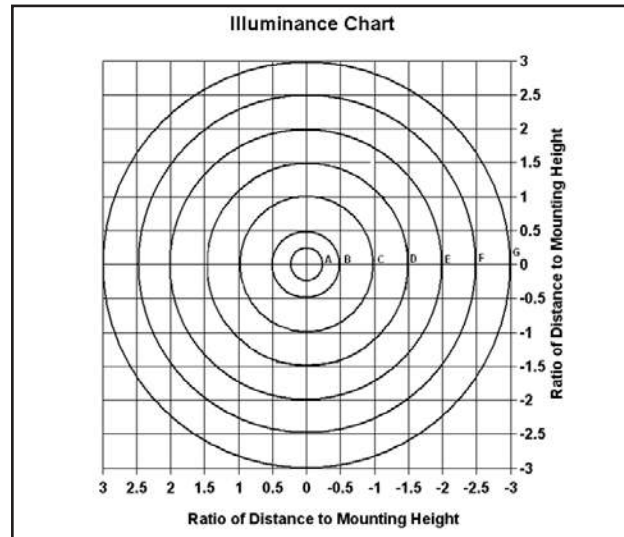
HB5C4M Series High Bay Fixture Light Measurement Data

Illuminance for Day or High Light Level conditions (Photopic Footcandles)

Mounting Height (ft)	Zones						
	A	B	C	D	E	F	G
8	56.50	42.00	19.40	7.00	2.60	1.10	0.50
12	25.11	18.67	8.62	3.11	1.16	0.49	0.22
16	14.13	10.50	4.85	1.75	0.65	0.28	0.13
20	9.04	6.72	3.10	1.12	0.42	0.18	0.08
25	5.79	4.30	1.99	0.72	0.27	0.11	0.05
30	4.02	2.99	1.38	0.50	0.18	0.08	0.04
40	2.26	1.68	0.78	0.28	0.10	0.04	0.02

Illuminance for Night or Low Light Level conditions (Scotopic Footcandles)

Mounting Height (ft)	Zones						
	A	B	C	D	E	F	G
8	128.82	95.76	44.23	15.96	5.93	2.51	1.14
12	57.25	42.56	19.66	7.09	2.63	1.11	0.51
16	32.21	23.94	11.06	3.99	1.48	0.63	0.29
20	20.61	15.32	7.08	2.55	0.95	0.40	0.18
25	13.19	9.81	4.53	1.63	0.61	0.26	0.12
30	9.16	6.81	3.15	1.13	0.42	0.18	0.08
40	5.15	3.83	1.77	0.64	0.24	0.10	0.05



*Typical Example of 100' x 100' Room (Based on 30' Mounting Height)	
Number of Fixtures	Number of ft*c (on the ground)
9	8
16	14
20	17.5

*Ceiling Reflectance = 0.8
Wall Reflectance=0.5
Floor Reflectance=0.2
Work Plane Height = 2.5'

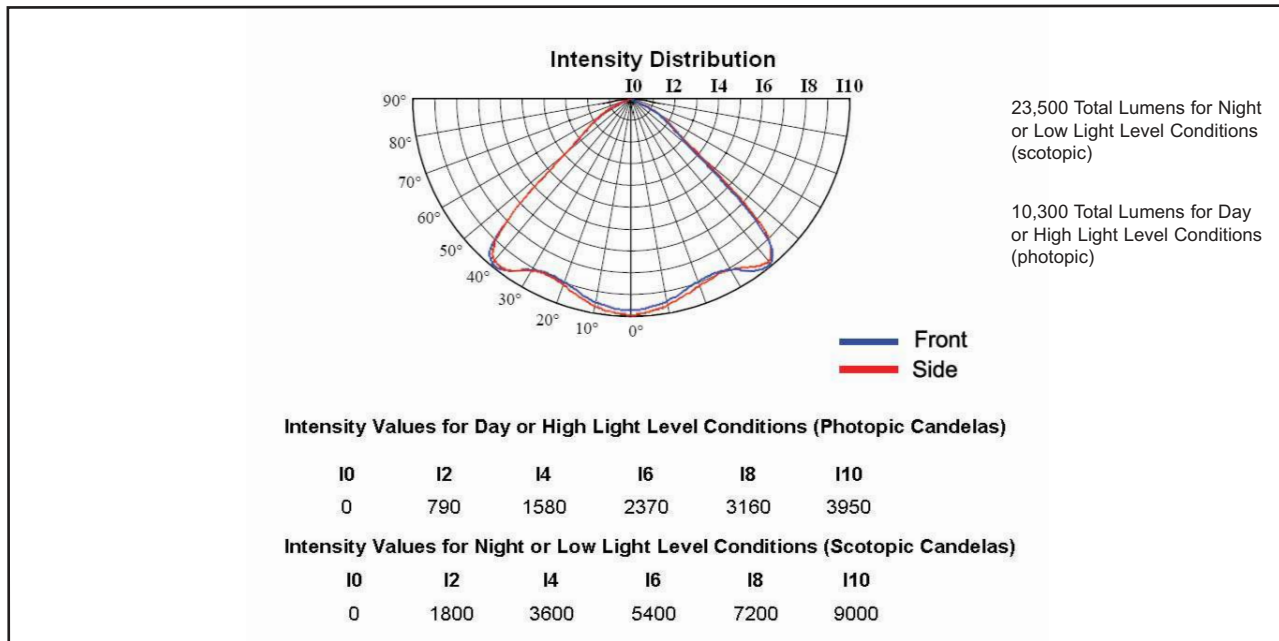
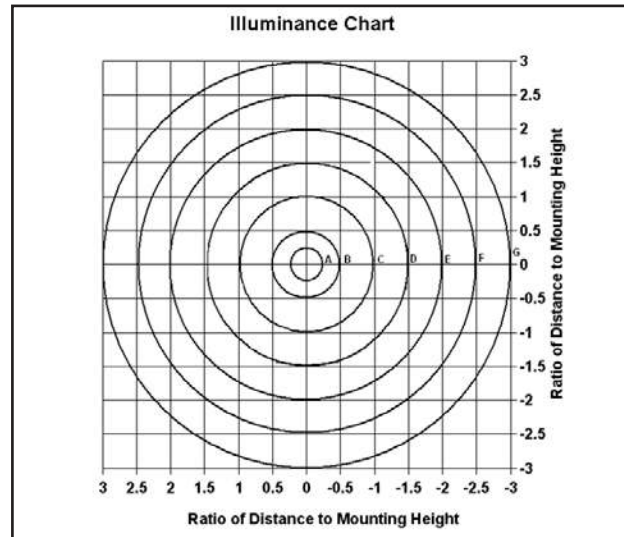
HB1N4J Series High Bay Fixture Light Measurement Data

Illuminance for Day or High Light Level conditions (Photopic Footcandles)

Mounting Height (ft)	Zones						
	A	B	C	D	E	F	G
8	57.00	41.30	22.60	6.00	1.60	0.60	0.20
12	25.33	18.36	10.04	2.67	0.71	0.27	0.09
16	14.25	10.33	5.65	1.50	0.40	0.15	0.05
20	9.12	6.61	3.62	0.96	0.26	0.10	0.03
25	5.84	4.23	2.31	0.61	0.16	0.06	0.02
30	4.05	2.94	1.61	0.43	0.11	0.04	0.01
40	2.28	1.65	0.90	0.24	0.06	0.02	0.01

Illuminance for Night or Low Light Level conditions (Scotopic Footcandles)

Mounting Height (ft)	Zones						
	A	B	C	D	E	F	G
8	129.96	94.16	51.53	13.68	3.65	1.37	0.46
12	57.76	41.85	22.90	6.08	1.62	0.61	0.20
16	32.49	23.54	12.88	3.42	0.91	0.34	0.11
20	20.79	15.07	8.24	2.19	0.58	0.22	0.07
25	13.31	9.64	5.28	1.40	0.37	0.14	0.05
30	9.24	6.70	3.66	0.97	0.26	0.10	0.03
40	5.20	3.77	2.06	0.55	0.15	0.05	0.02



*Typical Example of 100' x 100' Room (Based on 30' Mounting Height)

Number of Fixtures	Number of ft*c (on the ground)
9	7.5
16	13.4
20	17

*Ceiling Reflectance = 0.8
 Wall Reflectance = 0.5
 Floor Reflectance = 0.2
 Work Plane Height = 2.5'

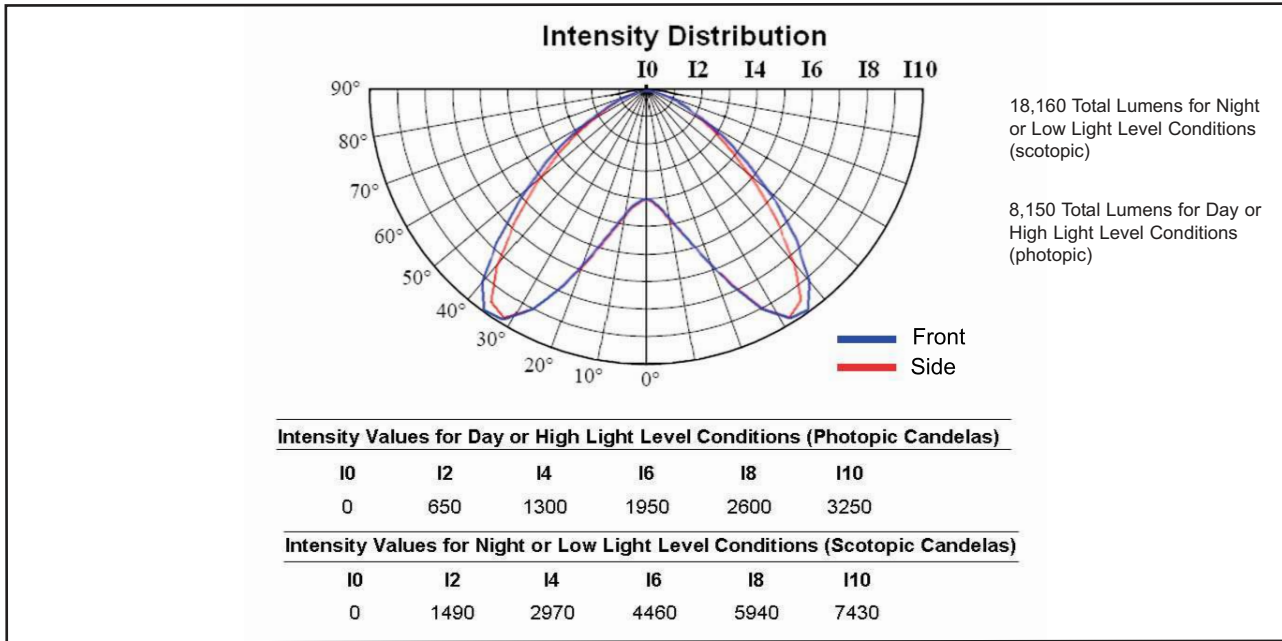
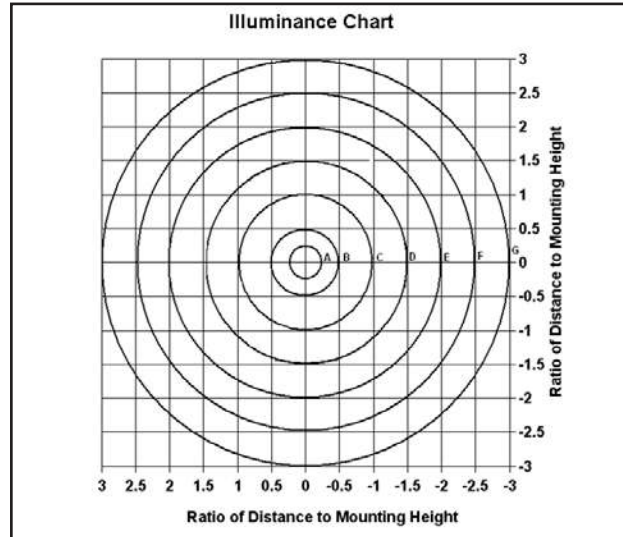
HB3C4G Series High Bay Fixture Light Measurement Data

Illuminance for Day or High Light Level conditions (Photopic Footcandles)

Mounting Height (ft)	Zones						
	A	B	C	D	E	F	G
8	22.50	28.80	18.00	5.20	1.60	0.60	0.30
12	10.00	12.80	8.00	2.31	0.71	0.27	0.13
16	5.63	7.20	4.50	1.30	0.40	0.15	0.08
20	3.60	4.61	2.88	0.83	0.26	0.10	0.05
25	2.30	2.95	1.84	0.53	0.16	0.06	0.03
30	1.60	2.05	1.28	0.37	0.11	0.04	0.02
40	0.90	1.15	0.72	0.21	0.06	0.02	0.01

Illuminance for Night or Low Light Level conditions (Scotopic Footcandles)

Mounting Height (ft)	Zones						
	A	B	C	D	E	F	G
8	51.30	65.66	41.04	11.86	3.65	1.37	0.68
12	22.80	29.18	18.24	5.27	1.62	0.61	0.30
16	12.83	16.42	10.26	2.96	0.91	0.34	0.17
20	8.21	10.51	6.57	1.90	0.58	0.22	0.11
25	5.25	6.72	4.20	1.21	0.37	0.14	0.07
30	3.65	4.67	2.92	0.84	0.26	0.10	0.05
40	2.05	2.63	1.64	0.47	0.15	0.05	0.03



*Typical Example of 100' x 100' Room (Based on 30' Mounting Height)

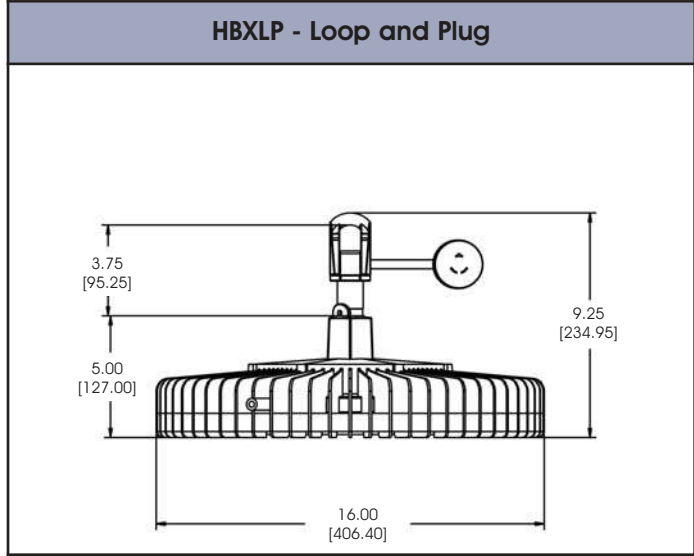
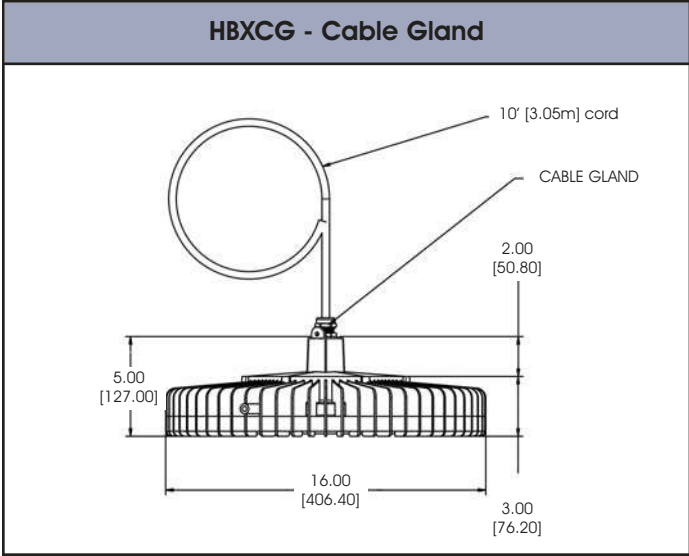
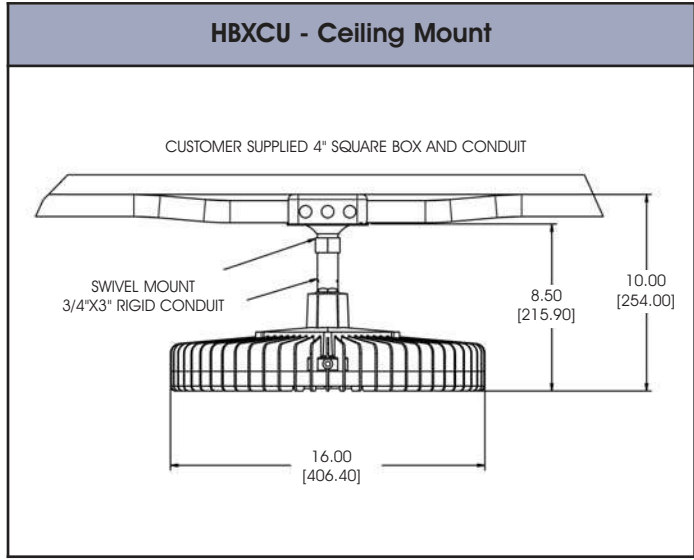
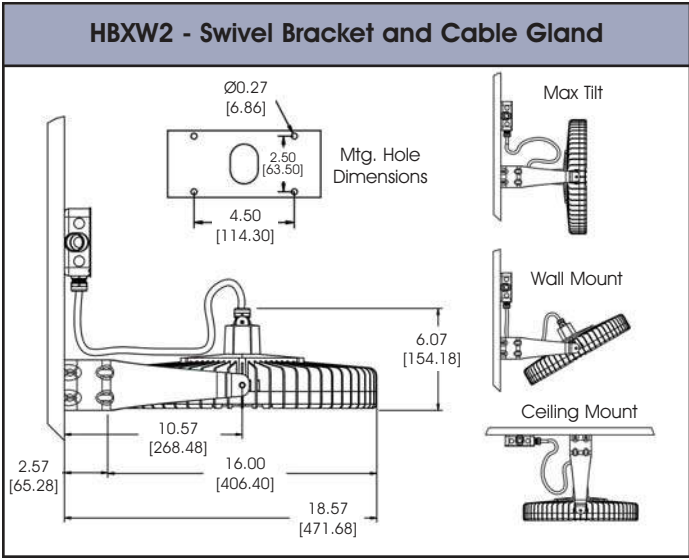
Number of Fixtures	Number of ft*c (on the ground)
9	6
16	10
25	16

*Ceiling Reflectance = 0.8
Wall Reflectance = 0.5
Floor Reflectance = 0.2
Work Plane Height = 2.5'

HB Series High Bay Fixture Mounting Options & Accessories

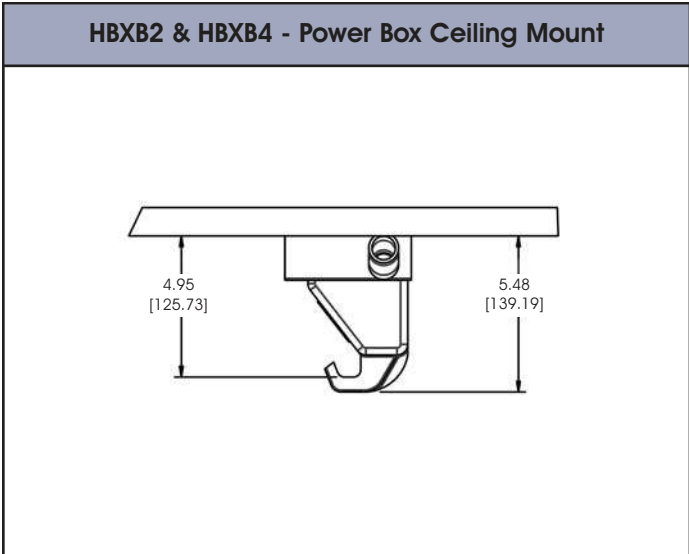
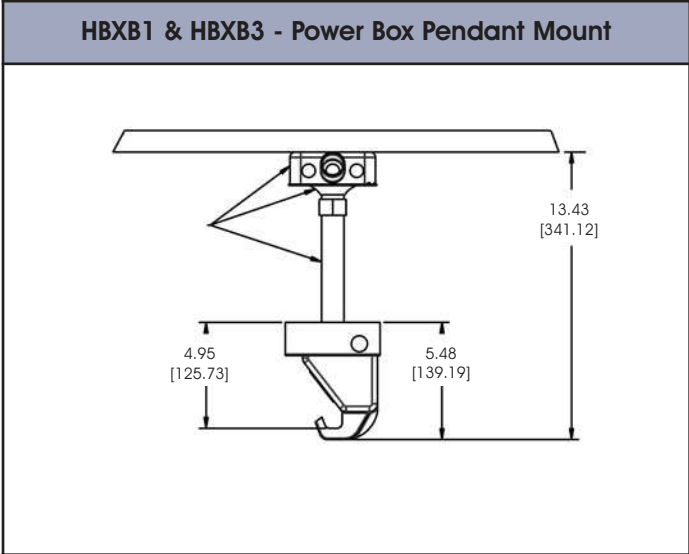
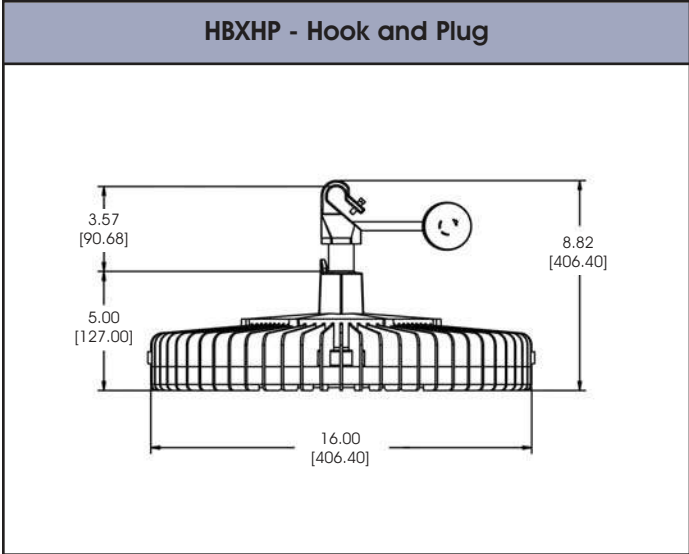
	Part Number	Description	Kit Includes	UL1598	UL1598A
	No Part Number	Pendant Mount (Conduit supplied by installer)	Conduit supplied by installer	X	X
	HBXW2	Swivel Bracket and Cable Gland	Swivel Bracket Bracket to fixture hardware Cable Gland	X	X
	HBXCU	Ceiling Mount	Swivel Hanger Cover 3" Conduit Nipple	X	
	HBXCG	Cable Gland	Cable Gland	X	X
	HBXLP	Loop and Plug	Hanger Loop 277/480 Twist Lock Plug	X	
	HBXHP	Hook and Plug	Hanger Hook 277/480 Twist Lock Plug	X	
	HBXB1	Power Box Pendant Mount 277VAC	Pendant mount 277VAC	X	
	HBXB3	Power Box Pendant Mount 480VAC	Pendant mount 480VAC	X	
	HBXB2	Power Box Ceiling Mount 277VAC	Ceiling mount 277VAC	X	
	HBXB4	Power Box Ceiling Mount 480VAC	Ceiling mount 480VAC	X	
	HBXT2	Junction Box with Transformer 347-480VAC to 240VAC	NEMA Box with Integrated Transformer	X	X

HB Series High Bay Fixture Mounting Options & Accessories



Dimensions in Inches [mm]

HB Series High Bay Fixture Mounting Options & Accessories



MDEXHBX001_A